

TECHNICAL SPECIFICATION

■ Introduction

Envirco's cleanroom ceiling solution, a 2" Gasket Seal Grid Cleanroom Ceiling System is fabricated using superior materials to provide both a structural grid system and zinc alloy die-castings.

The building block of a cleanroom ceiling grid system is the connection and suspension system. Envirco offers a true, extruded aluminum 2" cleanroom ceiling system. It is the most cost efficient system for cleanroom classes for ISO 8 (Class 100,000) to ISO 5 (Class 100), or any full HEPA coverage application.

Envirco's rod suspended cleanroom ceiling systems share attributes that in combination create a common design platform. Customizing this system to meet your specific needs is easy and worry-free. Call one of our engineers today to discuss options and find the system that best meets your needs.

■ Standard Features

Envirco's gasket seal grid ceiling system has a continuous 1/4-20 thread for connection and suspension at any point. It also has lightweight multi-purpose connectors that join the grid members, providing a suspension point for the threaded rods or wire-hung eye bolts.

- » 2" wide extruded aluminum flange for HEPA filter, ceiling tile, and light fixture mounting.
- » 3/8" thread rod and turnbuckle adjustable or 3/8" eye bolt and 12 ga. ceiling wire.
- » Full 2" face.
- » Painted white polyester finish, more durable than powder coating.
- » Gasketed (closed cell white).
- » Can be used with 100% HEPA coverage.
- » Can be used with cleanroom lights made for 2" grid or teardrop light fixtures.
- » Easy assembly.
- » Zinc alloy castings.
- » Center Line of Grid - 24 1/2" x 48 1/2"
- » Module, Fixture, and Ceiling Tile Size - 23 5/8" x 47 5/8"

■ Warranty

- » Limited 1-year warranty.



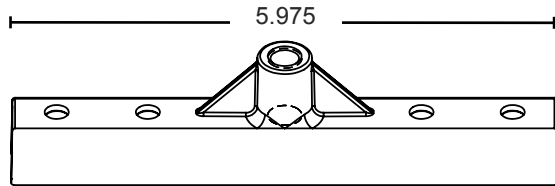
■ Envirco T-Grid Load Table

Deflection Formula	L/360	L/180	L/360
Hanger Spacing (Span)	48"	48"	24"
Main Tee Spacing	48"	48"	48"
Maximum Point Load (Lbs)	133	133	238
Maximum Uniform Load (Lbs/LF)	96	96	48
Applied Load (Lbs/SF) (Dead+Live with Filter)	24	24	24
Deflection at Mid-Span	1/8"	1/4"	1/16"

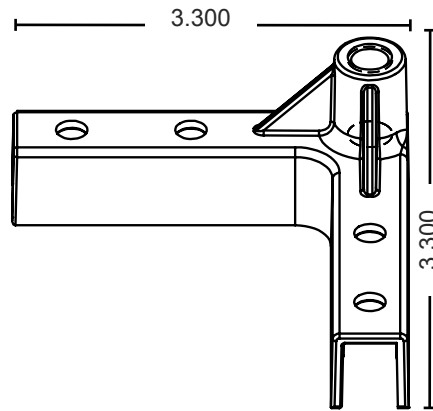
Ceiling T-Grid System

2" Heavy Duty for Cleanroom

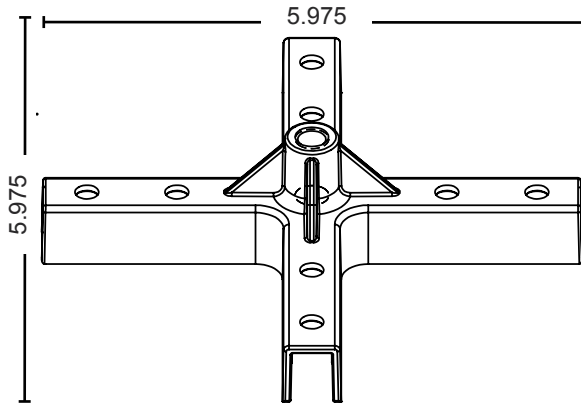
TECHNICAL SPECIFICATION



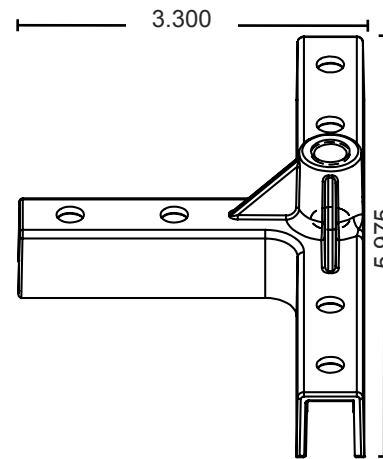
2 Way Connection



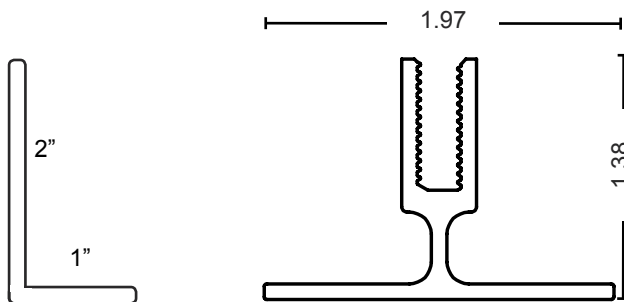
2 Way Corner



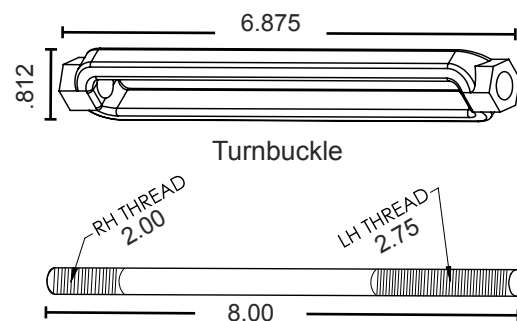
4 Way Cast



3 Way Cast



Wall Mount & Main Runner



Turnbuckle

Threaded Stud

Envirco USA
 101 McNeill Road
 Sanford, NC 27330, USA
 Tel: 919.775.2201
 Toll Free: 800.884.0002
 Fax: 800.458.2379
 www.envirco.com
 email: info@envirco.com

European Sales
 The Cavendish Centre
 Winnall Close
 Winchester, Hampshire,
 SO23 0LB, UK
 Tel: +44(0)1962.840465
 Fax: +44(0)1962.828619
 www.envirco-emea.com
 email: rflaherty@airsysco.com

Asian Sales and Manufacturing
 Building #1
 200 Middle Suhong Road
 Suzhou, Jiangsu PRC 215021
 Tel: +86.512.62587180
 Fax: +86.512.62580031
 email: info@envirco.com